



# KEN SERIES

# HIGH PERFORMANCE IEC INLET SNAP-IN FILTERS



## INTRODUCTIONS

1. Applications for UL 544 & UL 2601 health care equipment.
2. Specially designed with ground choke providing most effective EMI suppression for high frequency noise (ranged 5MHz-25MHz).
3. Bleeder resistor can be added with suffix "-R" on part numbers.
4. With optional 0.1uF X capacitor instead of 0.047.
5. With optional solder lug connection instead of fast on terminal.

## COMPONENTS

| PART NO.                 | L (mH) | Cx (uF) | Lg (uH) |
|--------------------------|--------|---------|---------|
| 03KENG3DAM/03KENW3DAM    | 3.1    | 0.047   | 100     |
| 03KENG3EAM/03KENW3EAM    | 3.1    | 0.1     |         |
| * 08KENG3DAM/08KENW3DAM  | 0.8    | 0.047   |         |
| * 08KENG3EDAM/08KENW3EAM | 0.8    | 0.1     |         |
| **10KENG3DAM/10KENW3DAM  | 0.4    | 0.047   |         |
| **10KENG3EAM/10KENW3EAM  | 0.4    | 0.1     |         |

\*\* UL, CSA & VDE approved to 9A 115/250VAC  
 \* VDE approved to 6A 250V

## MINIMUM INSERTION LOSS IN dB

| COMMON MODE (L-G) IN 50 OHM SYSTEM       |               |     |     |     |    |    |
|--|---------------|-----|-----|-----|----|----|
| CURRENT RATING                           | FREQUENCY-MHz |     |     |     |    |    |
|  | .15           | .50 | 1.0 | 5.0 | 10 | 30 |
| 3A                                       | 20            | 30  | 30  | 30  | 25 | 10 |
| 8A                                       | 10            | 12  | 15  | 15  | 15 | 10 |
| 10A                                      | 5             | 10  | 12  | 12  | 12 | 10 |
| DIFFERENTIAL MODE (L-L) IN 50 OHM SYSTEM |               |     |     |     |    |    |
| 3A                                       | 0             | 10  | 12  | 25  | 25 | 20 |
| 8A                                       | 0             | 10  | 12  | 25  | 25 | 20 |
| 10A                                      | 0             | 10  | 12  | 25  | 25 | 20 |

## MECHANICAL CONSTRUCTION



G3DAM

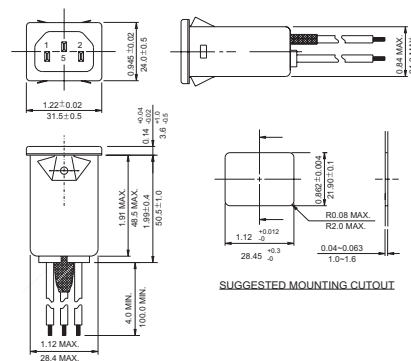
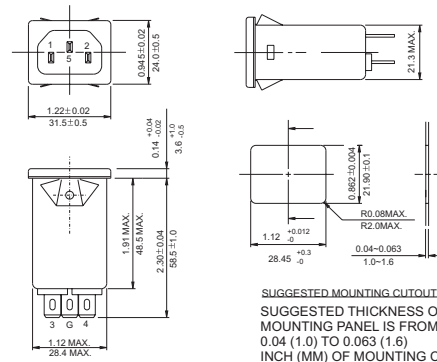
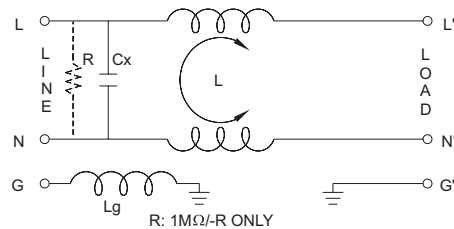


W3DAM

## SPECIFICATIONS

1. Maximum leakage current each line-to-ground @ 115VAC 60Hz: 2uA @ 250VAC 50Hz: 5uA
2. Hipot rating (one minute) line-to-ground: 2250VDC line-to-line: 1450VDC
3. Operating frequency: 50/60Hz
4. Rated voltage: 115/250VAC

## ELECTRICAL SCHEMATIC



ALL WIRE LEADS 4.0" LONG MIN. UNIT: INCH/mm